

Aero

BETTER ACCESS, BETTER DESIGN



*The right
design*



AeroFlap
Moving above

pag. 4



AeroLoft
Moving up

pag. 6



AeroSplit
Folding up

pag. 8



AeroWing
The three in one solution

pag. 10



AeroLift
Assisted lifter

pag. 12



BETTER ACCESS BETTER DESIGN. BETTER ACCESS BETTER DESIGN. BETTER ACCESS BETTER DESIGN. BETTER ACCESS BETTER DESIGN.
BETTER ACCESS BETTER DESIGN. BETTER ACCESS BETTER DESIGN. BETTER ACCESS BETTER DESIGN. BETTER ACCESS BETTER DESIGN.
BETTER ACCESS BETTER DESIGN. BETTER ACCESS BETTER DESIGN. BETTER ACCESS BETTER DESIGN. BETTER ACCESS BETTER DESIGN.



BETTER ACCESS BETTER DESIGN. BETTER ACCESS BETTER DESIGN. BETTER ACCESS BETTER DESIGN. BETTER ACCESS BETTER DESIGN. BETTER ACCESS BETTER DESIGN. BETTER ACCESS BETTER DESIGN. BETTER ACCESS BETTER DESIGN. BETTER ACCESS BETTER DESIGN.
BETTER ACCESS BETTER DESIGN. BETTER ACCESS BETTER DESIGN. BETTER ACCESS BETTER DESIGN. BETTER ACCESS BETTER DESIGN. BETTER ACCESS BETTER DESIGN. BETTER ACCESS BETTER DESIGN. BETTER ACCESS BETTER DESIGN. BETTER ACCESS BETTER DESIGN.
BETTER ACCESS BETTER DESIGN. BETTER ACCESS BETTER DESIGN. BETTER ACCESS BETTER DESIGN. BETTER ACCESS BETTER DESIGN. BETTER ACCESS BETTER DESIGN. BETTER ACCESS BETTER DESIGN. BETTER ACCESS BETTER DESIGN. BETTER ACCESS BETTER DESIGN.



- Aero:**
- AeroFlap
 - AeroLoft
 - AeroSplit
 - AeroWing
 - AeroLift

Linear minimalistic design

Modern kitchen design is linear and minimalist. Large panels and high gloss finish are alternating with wooden elements. Large drawers in the bottom cabinets are asking for corresponding design elements in the wall hanging cabinets.

Aero lifter systems are the affordable up-to-date solutions for modern furniture design.

One gesture full access

Spacious Prime drawers in the bottom cabinets give immediate access to a large quantity of stored items. Aero lifter systems are the corresponding response of FGV to give immediate access in one gesture to the full space of wall hanging cabinets. Lift, fold-up or swing over the large door and the full space is accessible in one go.

The choice of the adequate AeroFlap/AeroLoft/AeroSplit mechanism depends on the size and the weight of the door.





Moving above

- Natural movement
- Compatible with low ceiling
- Full accessibility of the cabinet interior
- Perfect stay in every position
- High-end visual appeal
- Slim housing for non-invasive look
- All adjustments for perfect fit

height (mm)	weight (mm)		code
450	4,8 - 5,7	R10	59.0VFL.A9.R10.0000
600	4,4 - 5,2		
660	4,0 - 4,7		
450	5,8 - 7,3	R20	59.0VFL.A9.R20.0000
600	5,3 - 6,7		
660	4,8 - 6,2		
450	7,4 - 9,2	R30	59.0VFL.A9.R30.0000*
600	6,8 - 8,4		
660	6,3 - 7,9		
450	9,3 - 10,8	R40	59.0VFL.A9.R40.0000*
600	8,5 - 9,9		
660	8,0 - 9,3		
450	10,9 - 14,5	R50	59.0VFL.A9.R50.0000
600	10,0 - 13,0		
660	9,4 - 11,8		

height (mm)	weight (mm)		code
720	4,6 - 6,2	S10	59.0VFL.A9.S10.0000
800	4,5 - 5,9		
720	6,3 - 7,8	S20	59.0VFL.A9.S20.0000
800	6,0 - 7,6		
720	7,9 - 9,3	S30	59.0VFL.A9.S30.0000*
800	7,7 - 8,9		
720	9,5 - 12,0	S40	59.0VFL.A9.S40.0000*
800	9,0 - 11,4		

Every code refers to a complete kit.

The kit is composed by:

- 2 mechanisms, RX and LX
- 2 brackets, RX and LX
- 2 covers, RX and LX
- Fittings
- Assembly instruction

Stabilization bar standard dimension 2 m to order separately with a specific code.

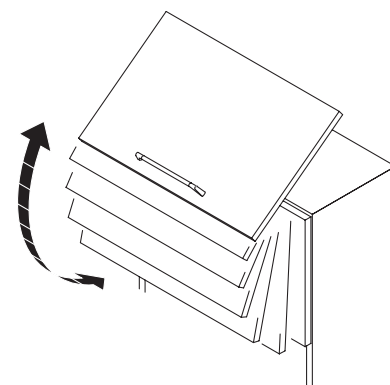
(Dimension of the bar = internal cabinet dimension – 25 mm)

Stabilization bar (2 m) **59.0VB0.0A.2000.000***

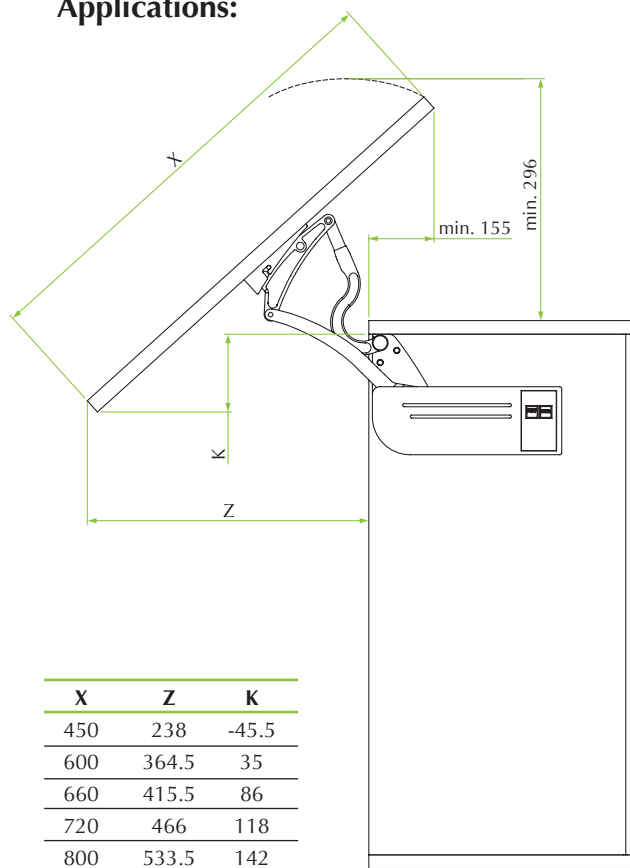
- The highlighted codes refer to versions available at stock, for the other models it is possible to place special orders with minimum quantity of order and delivery in 6 weeks.



AeroFlap confers an interesting movement to the door, moving it up and above the cabinet at the same time. This creates a linear look and enhances the impact of the whole cabinet. The door stays in every position and the final closing is damped, adding to the high-end appeal.

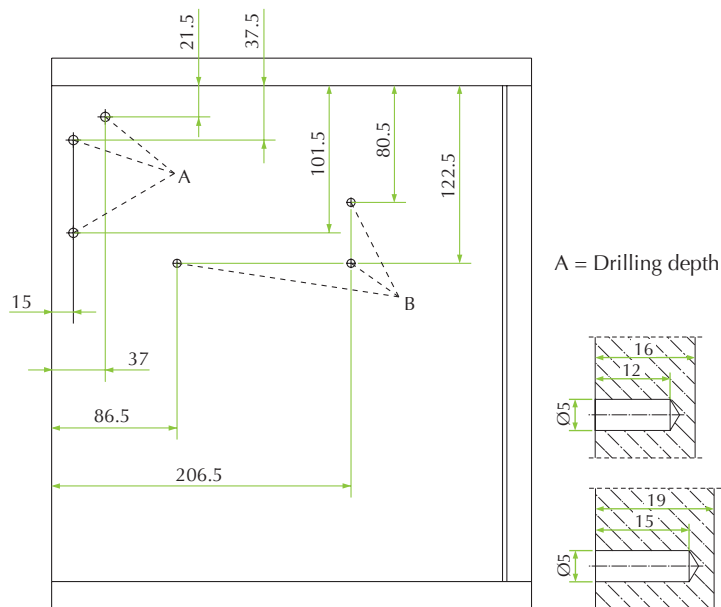


Applications:



Drilling holes for the Flap mechanisms:

A = \varnothing 5 mm x min. 12 deep
 B = customer-specific depending on the screws selected
 (4 x 35 screws recommended)



Easy and precise adjustment to weight and size.



3-D adjustment for door position and inclination.



Very slim mechanism for non-invasive look.



Moving up

- Ideal for narrow space
- Lofty look with high ceiling rooms
- Full accessibility of the cabinet interior
- Perfect stay in every position
- Very aerial visual appeal
- Slim housing for non-invasive look
- All adjustments for perfect fit

height (mm)	weight (mm)		code
380 - 500	4,8 - 6,0	K 10	59.0VLT.A9.K10.0000*
	6,1 - 7,6	K 20	59.0VLT.A9.K20.0000*
	7,7 - 9,8	K 30	59.0VLT.A9.K30.0000
	9,9 - 11,4	K 40	59.0VLT.A9.K40.0000
	11,5 - 14,6	K 50	59.0VLT.A9.K50.0000
450 - 580	4,7 - 5,9	L 10	59.0VLT.A9.L10.0000*
	6,0 - 7,6	L 20	59.0VLT.A9.L20.0000*
	7,7 - 9,2	L 30	59.0VLT.A9.L30.0000
	9,3 - 11,6	L 40	59.0VLT.A9.L40.0000
550 - 660	5,3 - 6,6	M 10	59.0VLT.A9.M10.0000*
	6,7 - 7,9	M 20	59.0VLT.A9.M20.0000*
	8,0 - 10-3	M 30	59.0VLT.A9.M30.0000

Every code refers to a complete kit.

The kit is composed by:

- 2 mechanisms, RX and LX
- 2 brackets, RX and LX
- 2 covers, RX and LX
- Fittings
- Assembly instruction

Stabilization bar standard dimension 2 m to order separately with a specific code.

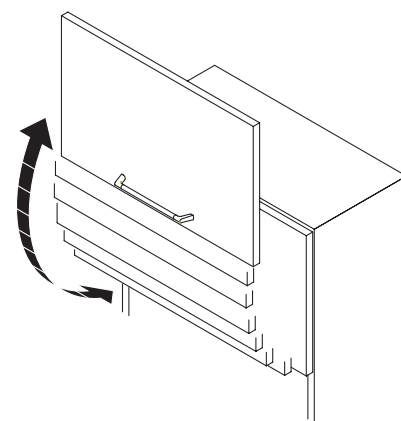
(Dimension of the bar = internal cabinet dimension – 25 mm)

Stabilization bar (2 m) **59.0VB0.0A.2000.000***

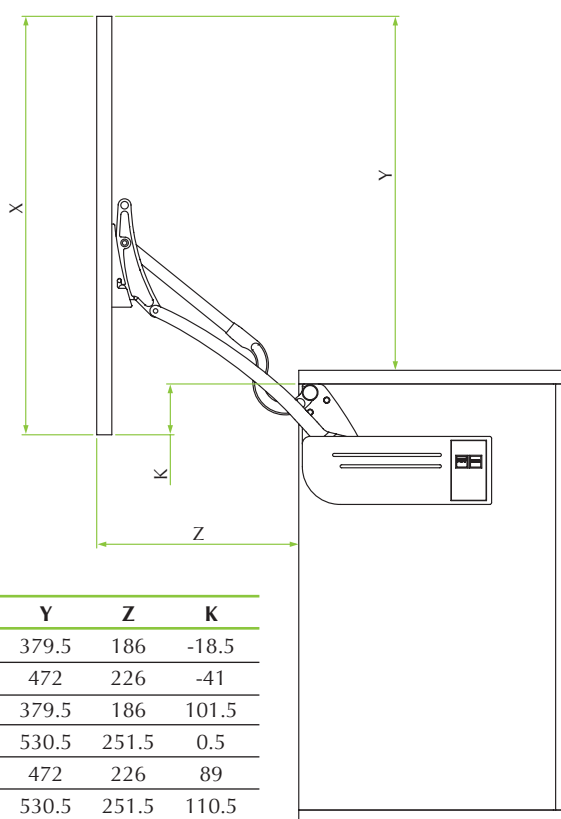
- The highlighted codes refer to versions available at stock, for the other models it is possible to place special orders with minimum quantity of order and delivery in 6 weeks.



AeroLoft is the majestic alternative in the range. Requiring the right space above the cabinets, its movement is impressive and confers a very aerial look to the whole piece of furniture. Here also full accessibility of the cabinet content is ensured and the product is particularly fit for narrow spaces as well.

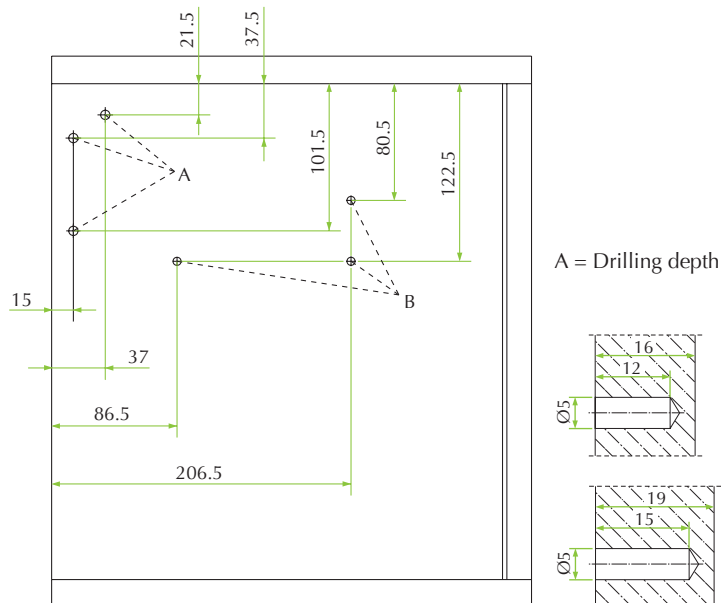


Applications:



Drilling holes for the Loft mechanisms:

A = \varnothing 5 mm x min. 12 deep
 B = customer-specific depending on the screws selected
 (4 x 35 screws recommended)



Compact design to fit into the upper corner of the cabinet.



Tolerant fitting accepting usual variations of the industry.



Final damping for soft closing of the door.



Folding up

- Elegant movement in narrow rooms
- Compatible with low ceiling
- Full accessibility of the cabinet interior
- Perfect stay in every position
- Technical visual appeal
- Slim housing for non-invasive look
- All adjustments for perfect fit

height (mm)	weight (mm)		code
600	6,0 - 6,7	A 10	59.0VSP.A9.A10.0000*
720	5,3 - 6,5	B 10	59.0VSP.A9.B10.0000
800	5,0 - 6,1	C 10	59.0VSP.A9.C10.0000
600	6,8 - 8,1	A 20	59.0VSP.A9.A20.0000*
720	6,6 - 8,7	B 20	59.0VSP.A9.B20.0000*
800	6,2 - 8,0	C 20	59.0VSP.A9.C20.0000
600	8,2 - 10,0	A 30	59.0VSP.A9.A30.0000
720	8,8 - 11,0	B 30	59.0VSP.A9.B30.0000*
800	8,1 - 10,0	C 30	59.0VSP.A9.C30.0000*
600	10,1 - 13,0	A 40	59.0VSP.A9.A40.0000
720	11,1 - 13,3	B 40	59.0VSP.A9.B40.0000
800	10,1 - 12,5	C 40	59.0VSP.A9.C40.0000*
600	13,1 - 16,2	A 50	59.0VSP.A9.A50.0000
720	13,4 - 14,8	B 50	59.0VSP.A9.B50.0000
800	12,6 - 13,5	C 50	59.0VSP.A9.C50.0000

• The highlighted codes refer to versions available at stock, for the other models it is possible to place special orders with minimum quantity of order and delivery in 6 weeks.

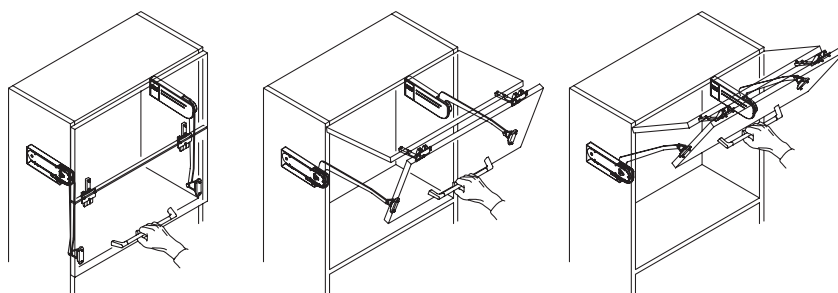
Every code refers to a complete kit.

The kit is composed by:

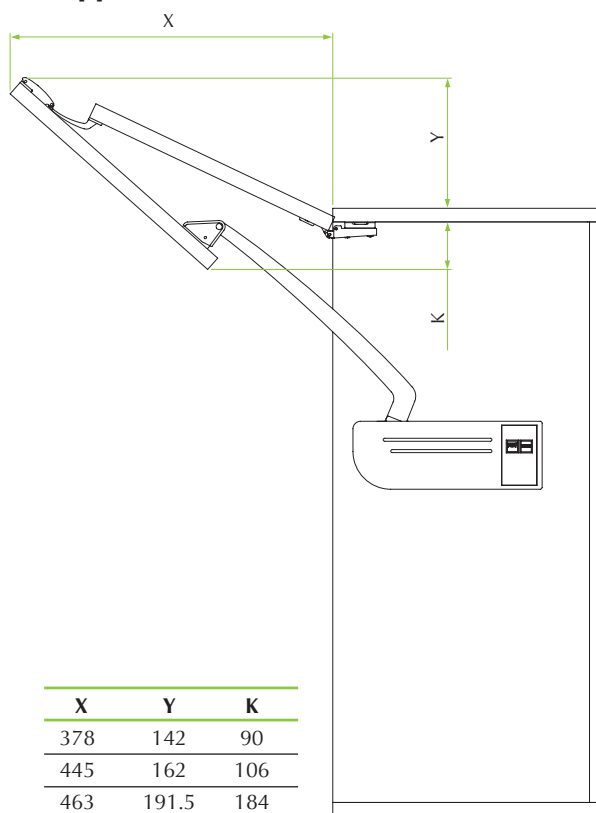
- 2 mechanisms, RX and LX
- 2 brackets, RX and LX
- 2 covers, RX and LX
- 3 upper hinges 120°
- 2 central hinges 120°
- Fittings
- Assembly instruction



AeroSplit is the perfect solution for narrow kitchen or low ceiling furniture applications. The folding door is opening at an angle of 125°, ensuring that the second half of the door folds extremely flat and ensuring full accessibility of the space. The technical appeal of this product fits well with modern front design.

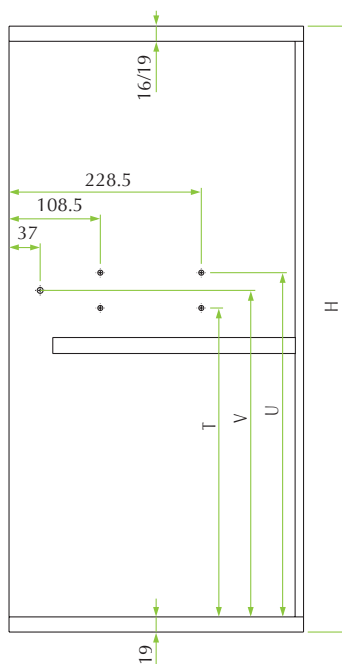


Applications:



Drilling holes for the Split mechanisms:

H	T	V	U
600	314	335	356
720	367	388	409
800	398	419	440



Easy and precise adjustment to weight and size.



Anti-pinch central hinge for safe functioning.



Supplementary damping for very soft closing.



The three in one solution

- Simple and effective product
- Same product three applications
 - freehold in every position
 - freewheel and SlowMotion
 - flapstay with break
- Covers 75°, 90° and 110° angles
- 32mm standard cabinet drilling
- Very aerial visual appeal
- Strong and secure mechanism
- Many applications in all rooms of the house

Single kit

59.0VW0.05.0000000

Every code refers to a complete kit.
The kit is composed by:

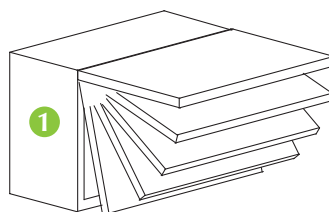
- 1 joint
- Bracket for cabinet
- Bracket for wooden door
- Bracket for aluminium frame
- Fittings
- Assembly instruction

Industrial package 100 pcs per box

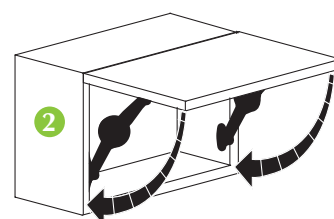
description	code
Joint	59.0VWR.05.0000000
Bracket for cabinet + bracket for wooden door	59.0WBL.05.0000000
Bracket for cabinet + bracket for aluminium frame	59.0WBA.05.0000000



AeroWing is all-round universal lifter with full adjustability for all sizes of doors and three different ways of working. Combined with SlowMotion hinges, it confers a perfect movement to the door.

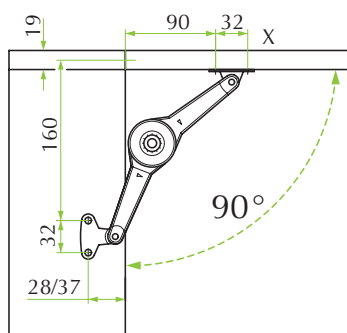
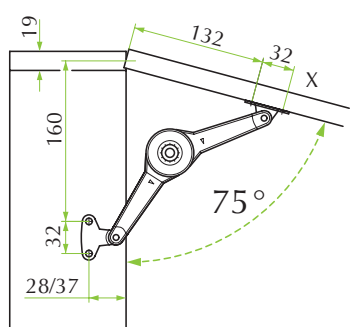


Freehold in every position

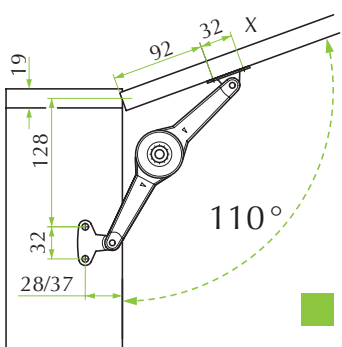
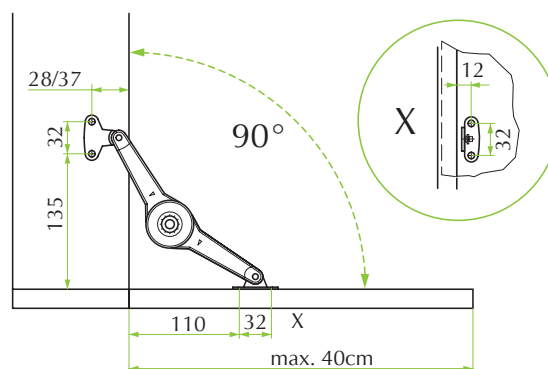


Freewheel and SlowMotion

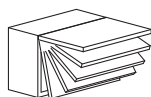
Applications:



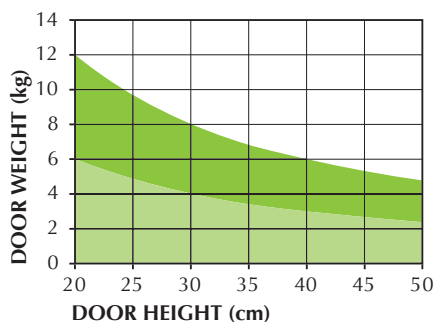
Magnet needed (not included)



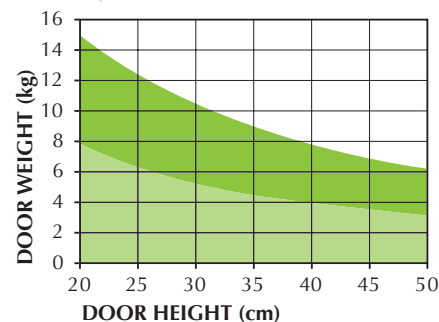
■ AeroWing x2
■ AeroWing x1



1 Freehold in every position



2 Freewheel and SlowMotion



Perfect adjustment for all sizes and weights within range.



System 32 compatible fixing with user friendly click-in feature.



Supplementary damping for very soft closing (optional).



Assisted lifter

- Compact and reliable solution
- Simple to install – simple to use
- Covers 75°, 90° and 110° angles
- 32mm standard cabinet drilling
- Very little visual impact
- Assisted opening and slowmotion closing
- Possible to combine with OneTouch mechanism for handle less application

AeroLift - UP solution

Single kit

newton	code
60	59.5K10.06.060.0000
80	59.5K10.06.080.0000
100	59.5K10.06.100.0000
120	59.5K10.06.120.0000

Every code refers to a complete kit.

The kit is composed by:

- 1 gas spring
- Bracket for cabinet
- Bracket for wooden door
- Bracket for aluminium frame
- Fittings
- Assembly instruction

AeroLift - DOWN solution

Single kit

newton	code
60	59.5K20.06.060.0000
80	59.5K20.06.080.0000
100	59.5K20.06.100.0000
120	59.5K20.06.120.0000

Every code refers to a complete kit.

The kit is composed by:

- 1 gas spring
- Bracket for cabinet
- Bracket for wooden door
- Bracket for aluminium frame
- Fittings
- Assembly instruction

Industrial package 1000 pcs per box

newton	code
60	59.5100.06.060.10
80	59.5100.06.080.10
100	59.5100.06.100.10
120	59.5100.06.120.10

description	code
Bracket for cabinet without dowels	59.5ASP.05.000.00
Bracket for cabinet with dowels	59.5ASP.05.000.0A
Bracket for wooden door	59.5ALP.05.000.00
Bracket for aluminium frame	59.5AAP.05.000.00

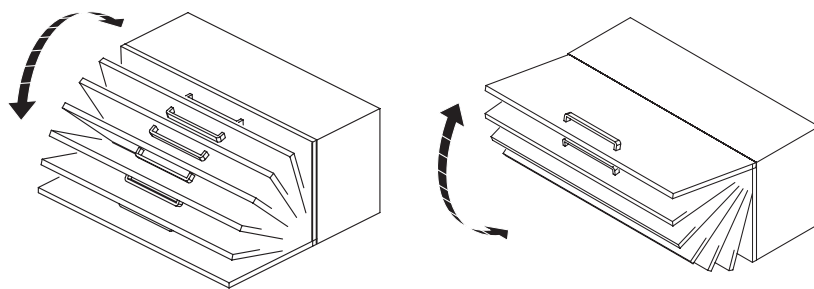
Industrial package 1000 pcs per box

newton	code
60	59.5200.06.060.10
80	59.5200.06.080.10
100	59.5200.06.100.10
120	59.5200.06.120.10

description	code
Bracket for cabinet without dowels	59.5ASP.05.000.00
Bracket for cabinet with dowels	59.5ASP.05.000.0A
Bracket for wooden door	59.5ALP.05.000.00
Bracket for aluminium frame	59.5AAP.05.000.00



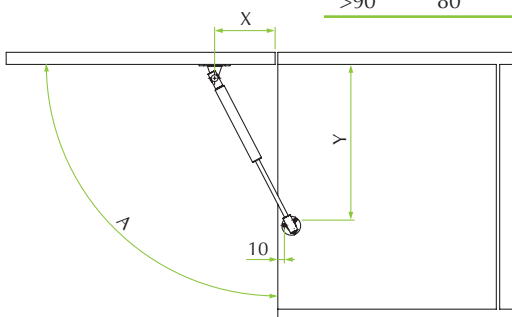
AeroLift is the entry level solution in the lifter world. Simple to use and to install, the product is reliable and gives good results on small and large doors. In combination with the OneTouch mechanism fixed on the cabinet, the product can be used without handle.



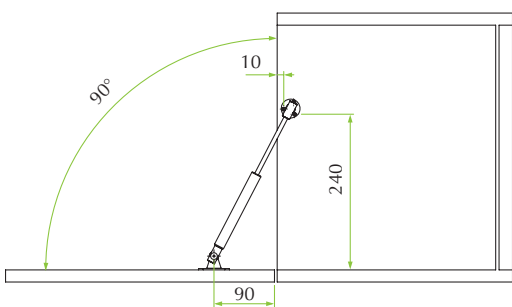
Applications:

UP solution

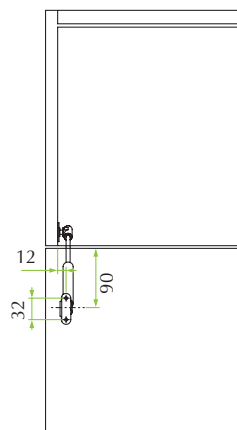
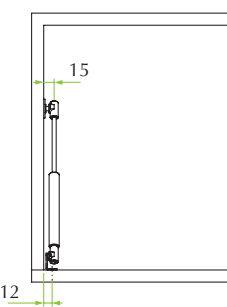
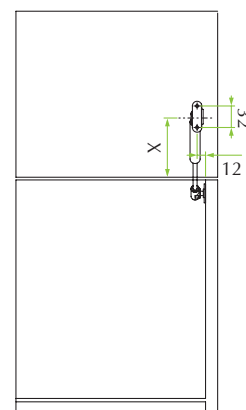
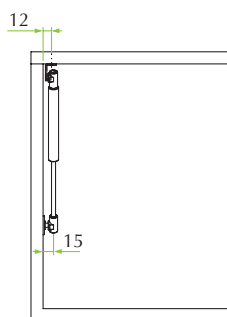
A	X	Y
<90°	100	245
90°	90	240
>90°	80	235



DOWN solution



Drilling holes for the Lift mechanism:



System 32 compatible fixing on the cabinet.



Click-on feature for ease of assembly and disassembly.



Combined with OneTouch mechanism for perfect function (optional).


FORMENTI & GIOVENZANA S.p.A.

Via Concordia, 16
 20050 Veduggio con Colzano (MI) - ITALY
 Tel. +39 0362 947.1 r.a. - Fax +39 0362 998788
 info@fgv.it
 www.fgv.it

FGV SLOVAKIA, Spol s r.o.

Partizánska cesta 73, P.O.BOX 87
 957 01 Bánovce nad Bebravou - SLOVAKIA
 Tel. +421 (0) 38 7626 100
 Fax +421 (0) 38 7626 105
 info@fgv.sk

FGVTN BRASIL LTDA.

Rua Francisco Derosso, 1352
 Curitiba Paraná 81710 000 - BRASIL
 Tel. +55 41 2107 4411
 Fax +55 41 3275 3038
 fgvtn@fgvtnbrasil.com.br
 www.fgvtnbrasil.com.br

FGV ASIA Limited

2503A-2505, 113 Argyle Street
 Kowloon, Hong Kong - P R CHINA
 Tel.+852 2648 7419
 Fax +852 2648 7389
 info@fgvasia.com
 www.fgvasia.com

FGV (Guangzhou) Company Limited

Units 2710-2711, Yang Cheng International Trading Centre
 East Tower, Ti Yu Dong Lu, No. 122
 Guangzhou - P R CHINA
 Tel. +86 20 38870570
 Fax +86 20 38870323
 info@fgvchina.com
 www.fgvchina.com

DEUTSCHE FGV Formenti & Giovenzana Möbelbeschläge GmbH

Industriestr. 44
 D-33397 Rietberg - GERMANY
 Tel. +49 (0) 5244-9708-0
 Fax +49 (0) 5244-9708-15
 www.fgvgermany.com

FORMENTI & GIOVENZANA POLSKA Sp. z o.o.

Ul. Boleslawiecka 8a
 98-400 Wieruszów - POLAND
 Tel. +48 62 58 10 400
 Fax +48 62 58 10 480
 www.fgvpolska.pl

FGV LIFESTYLES INDIA Pvt. Ltd.

B 104 Abhinav Apartments Shradhanand Road
 Vile Parle (East) Mumbai 400057 - INDIA
 Tel. +91 2226180007 / 26101534
 Fax +91 2226180006
 fgvlifestyles@vsnl.net

FORMENTI & GIOVENZANA IBERICA, S.L.

Santiago Rusiñol 27, local 6
 08031 Barcelona - SPAIN
 Tel. +34 93 357 48 38
 Fax. +34 92 429 89 05
 mauricidapedro@fgviberica.e.telefonica.net

FGV SERVICE VENETO S.r.l.

Via dell'Artigianato, 13/A
 31047 Ponte di Piave (TV) - ITALY
 Tel. +39 0422 858033
 Fax +39 0422 857316
 info@fgvservice.com

CRESTWOOD FITTINGS Ltd.

Crestwood House
 St. Martin's Stamford
 Lincolnshire PE9 2LG - U.K.
 Tel. +44 (0) 1780-753407
 Fax +44 (0) 1780-752344
 www.crestwood.co.uk

CONTEC - INTERNATIONAL

131, rue de Paris
 F - 94220 Charenton-Le-Pont - FRANCE
 Tel. +33 (0) 1 56 29 15 15
 Fax +33 (0) 1 56 29 15 16
 www.contec-international.com